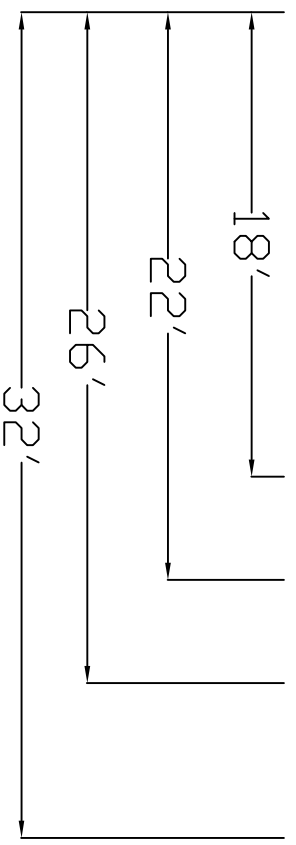
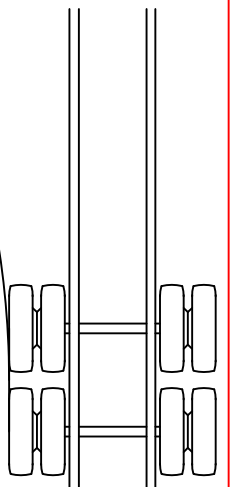
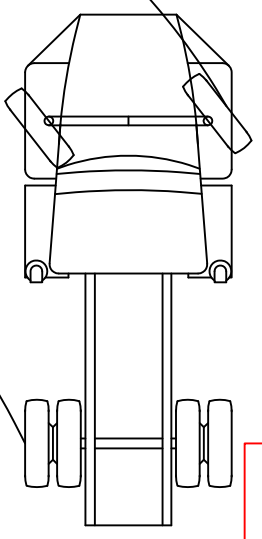


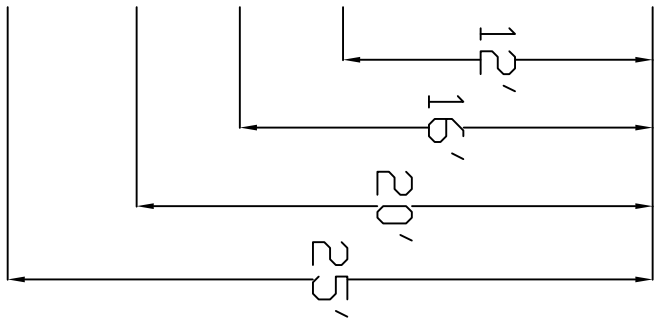
Road width



Trailer track

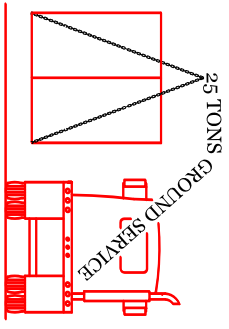


Driveway width



Minimum turn clearance
 Truck 2 Axle retracted
 Note extreme tail swing
 and reduced traction

Container Lifters



503-799-4183